

# ZELMER VACUUM CLEANERS

## DOMESTIC

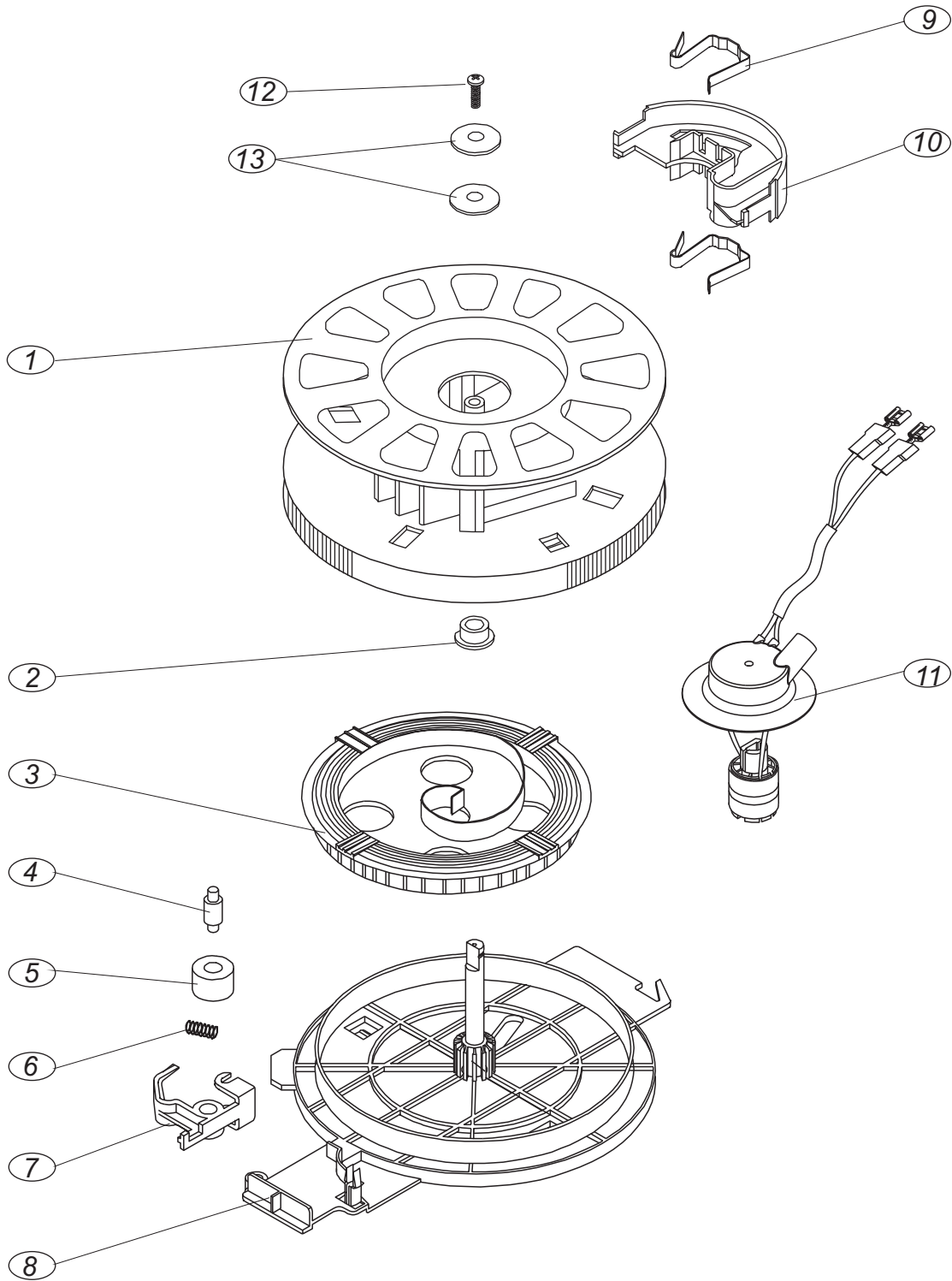
### ZELMER SOLARIS (V5000.OHQ) - SPARE PARTS



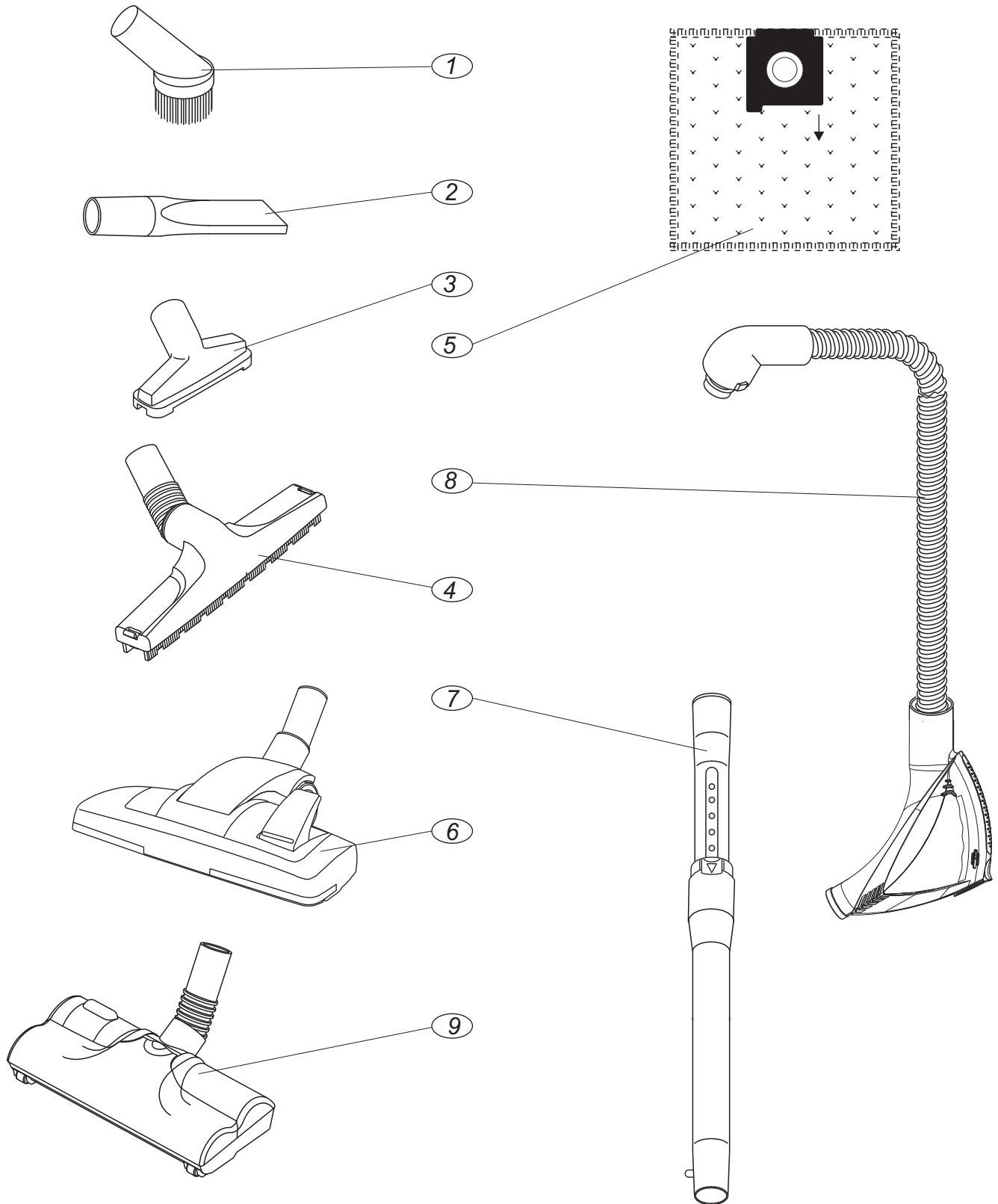
	UBZ Upholstery Brush		CTZ Crevice Tool		DBZ Dusting Brush		FILT-V5000 HEPA 13 Filter & Gasket
	V5000-38 Inlet Filter		AF4220 Synthetic Dust Bag <i>(plastic template)</i>		AF430S Synthetic Dust Bag <i>(cardboard template)</i>		V5000-61 Complete Hose
	FTH-ZEL Hard Floor Brush		FTT-ZEL Air Driven Turbo Brush		FT-ZEL Combination Floor Tool		PHZEL Powerhead
	V450-42 Telescopic Rod		M055 Motor		V5000-6 Filter Cover		V5000-10 Rear Wheel
	V5000-11 Bag Holder		V5000-12 Switch Button		V5000-13 Cord Rewind Button		V5000-14 Control Button (+)
	V5000-33 PCB Circuit Board		V5000-40 Front Wheel Bracket		V5000-51 Inlet Filter Guard		V5000-53 Supply Cord
	V5000-A Cord Rewinder		VZEL-FRT WHEEL Front Wheel		VZEL-SAFVAL Safety Valve		VZEL-SWITCH Switch
	VZEL-22 Cover Interlock		VZEL-49 Spring for Cover Latch		VZEL-7 Cover Latch		V5000-2 Front Cover
	VZEL-25 Cord Rewinder Insert		VZEL-15 Auto Reverse Slider		VZEL-34 Triac Board		
			V5500-HANDLE Complete Handle		V5500-HANDLEINSERT Handle Insert		



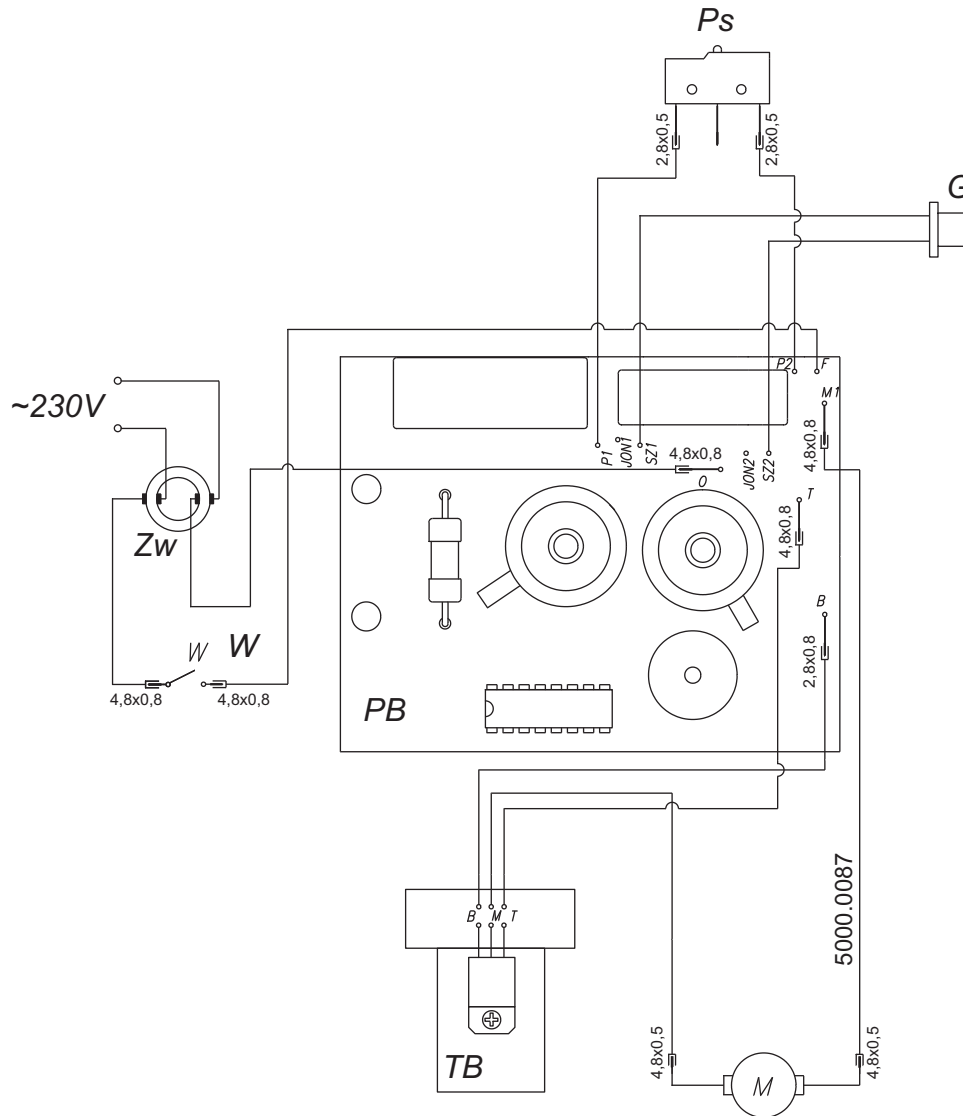
# || CORD WINDER 269.5100 AUSTRALIA



# IV VACUUM CLEANER ACCESSORIES ZELMER TYPE 5000.0H Q AUSTRALIA



# IV ELECTRICAL DIAGRAM OF THE VACUUM CLEANER ZELMER TYPE 5000.0H Q AUSTRALIA



Zw - CORD WINDER  
M - MOTOR  
W - MAIN SWICH  
TB - TRIAC BOARD  
Ps - PARKSYSTEM  
PB - PROCESSOR BOARD