

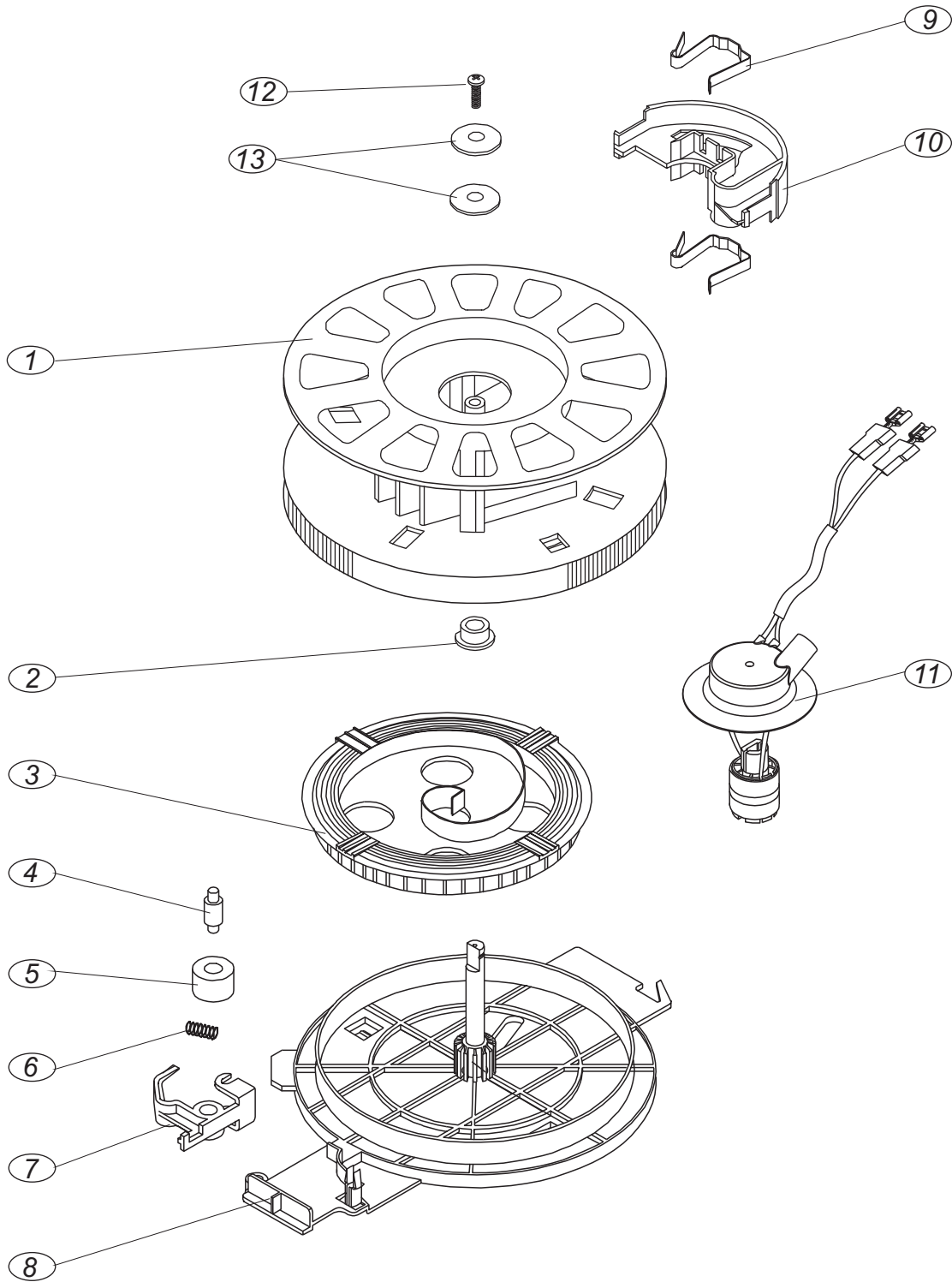
### ZELMER SOLARIS TWIX (V5500.OHT) - SPARE PARTS



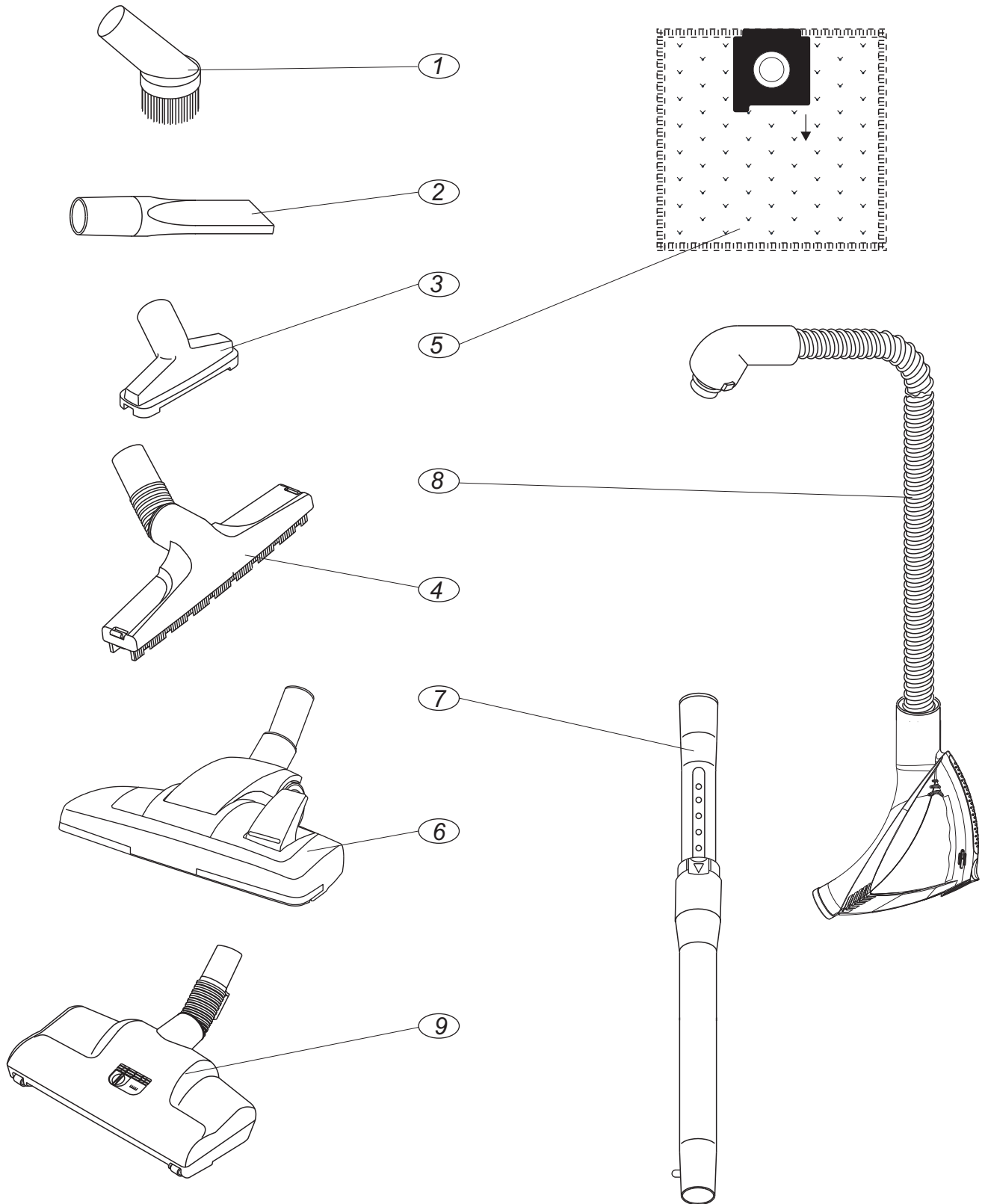
	UBZ Upholstery Brush		CTZ Crevice Tool		DBZ Dusting Brush		FILT-V5000 HEPA 13 Filter & Gasket
	V5000-38 Inlet Filter		V5500-61 Cyclone Filter Insert		V5500-FILT1 HEPA Filter for Cyclone Insert		V5500-FILT2 Outer Mesh Cover for HEPA Outlet Filter
	AF4220 Synthetic Dust Bag <i>(plastic template)</i>		V5000-61 Complete Hose		FTH-ZEL Hard Floor Brush		FT-ZEL Combination Floor Tool
	AF430S Synthetic Dust Bag <i>(cardboard template)</i>		V450-42 Telescopic Rod		PHZEL Powerhead		FTT-ZEL Air Driven Turbo Brush
	V5000-10 Rear Wheel		V5000-11 Bag Holder		V5000-12 Switch Button		V5000-13 Cord Rewind Button
	V5000-14 Control Button (+)		V5000-33 PCB Circuit Board		V5000-40 Front Wheel Bracket		V5000-51 Inlet Filter Guard
	V5000-53 Supply Cord		V5000-A Cord Rewinder		VZEL-FRT WHEEL Front Wheel		VZEL-SAFVAL Safety Valve
	VZEL-22 Cover Interlock		VZEL-49 Spring for Cover Latch		VZEL-7 Cover Latch		VZEL-SWITCH Switch
	V5500-67 Dust Canister Lid		V5500-6 Filter Cover		V5500-2 Front Cover		M055 Motor
	VZEL-25 Cord Rewinder Insert		VZEL-15 Auto Reverse Slider		VZEL-34 Triac Board		
	V5500-HANDLE Complete Handle		V5500-HANDLEINSERT Handle Insert				



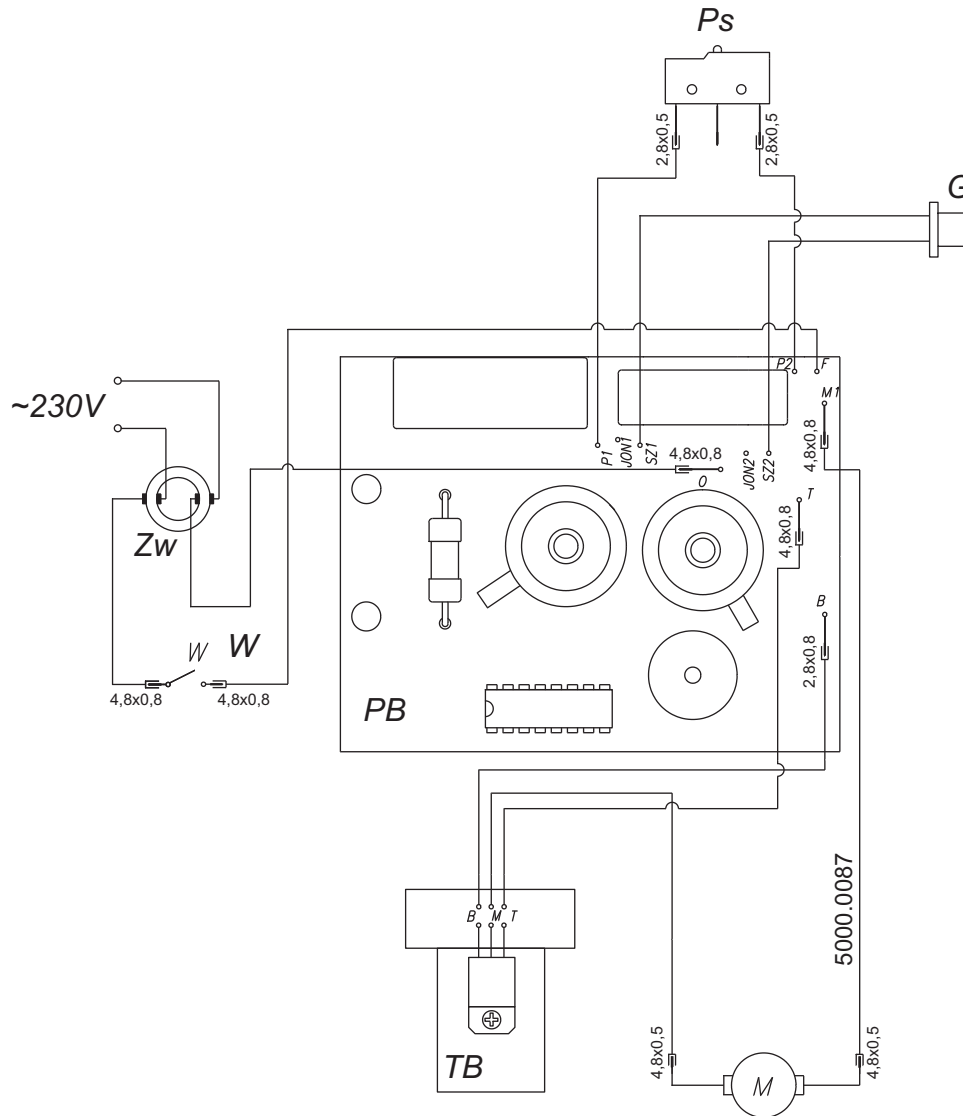
# || CORD WINDER 269.5100 AUSTRALIA



# IV VACUUM CLEANER ACCESSORIES ZELMER TYPE 5500.0H T AUSTRALIA



# IV ELECTRICAL DIAGRAM OF THE VACUUM CLEANER ZELMER TYPE 5500.0H T AUSTRALIA



- Zw - CORD WINDER
- M - MOTOR
- W - MAIN SWICH
- TB - TRIAC BOARD
- Ps - PARKSYSTEM
- PB - PROCESSOR BOARD