

ZELMER VACUUM CLEANERS

DOMESTIC

EXCLUSIVE TO



ZELMER ODYSSEY 1700 WATT BAG MACHINE

MADE IN EUROPE
2 YEAR WARRANTY



To view a video demonstration of this product visit:
youtube.com/cleanstarau



SPARE PARTS

- Suction Power Control
- HEPA Filtration
- 3 Litre Dust Bag Capacity
- Retractable Cord (6.3M)
- Soft Wheels
- Powerhead Outlet
- Wire reinforced vacuum hose (360° swivel)

Includes:

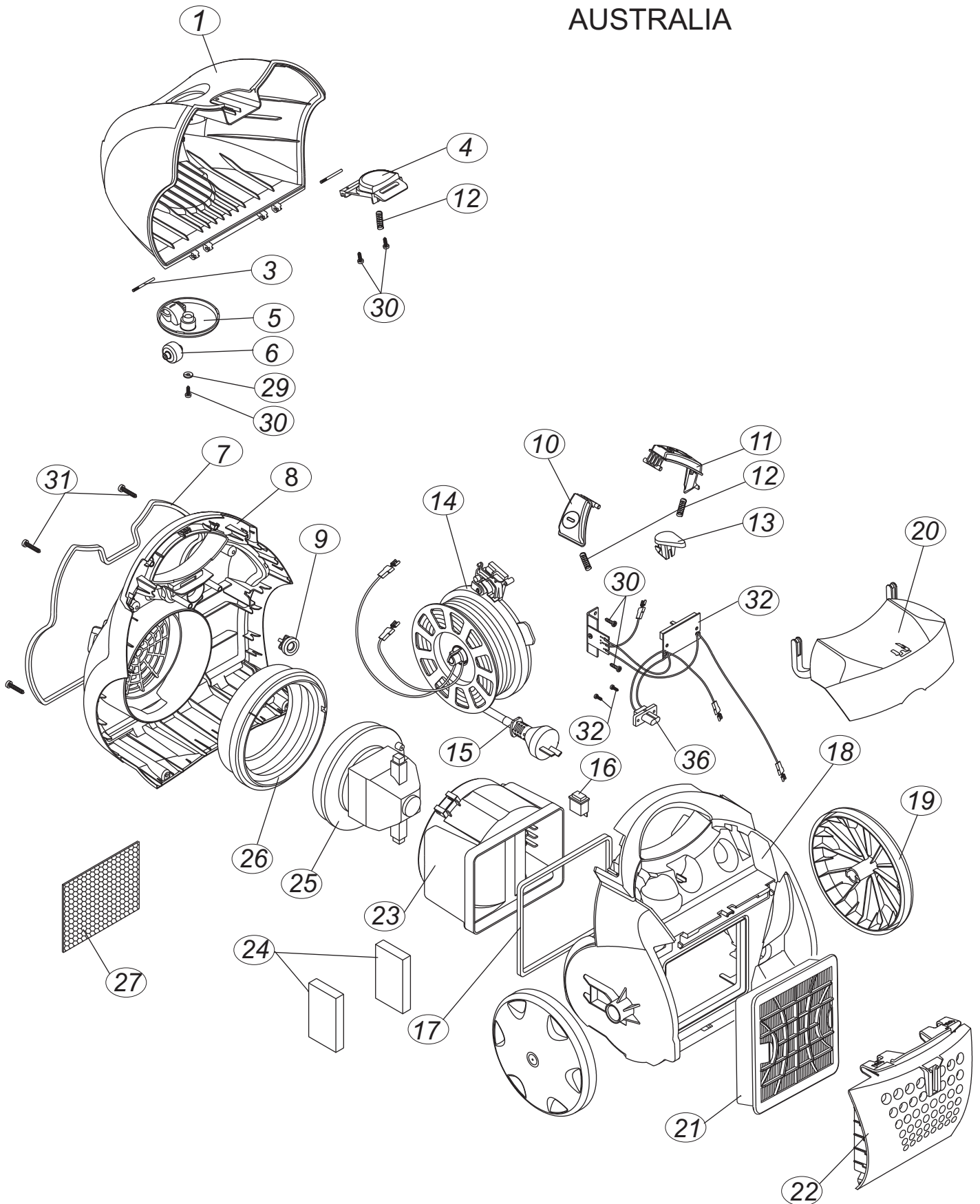
- Tools on Board
- Air Driven Turbo Brush
- Wessel Werk Combo Floor Tool
- Hard Floor Brush
- Telescopic Rod
- Hose Assembly

Part No: V450.OST

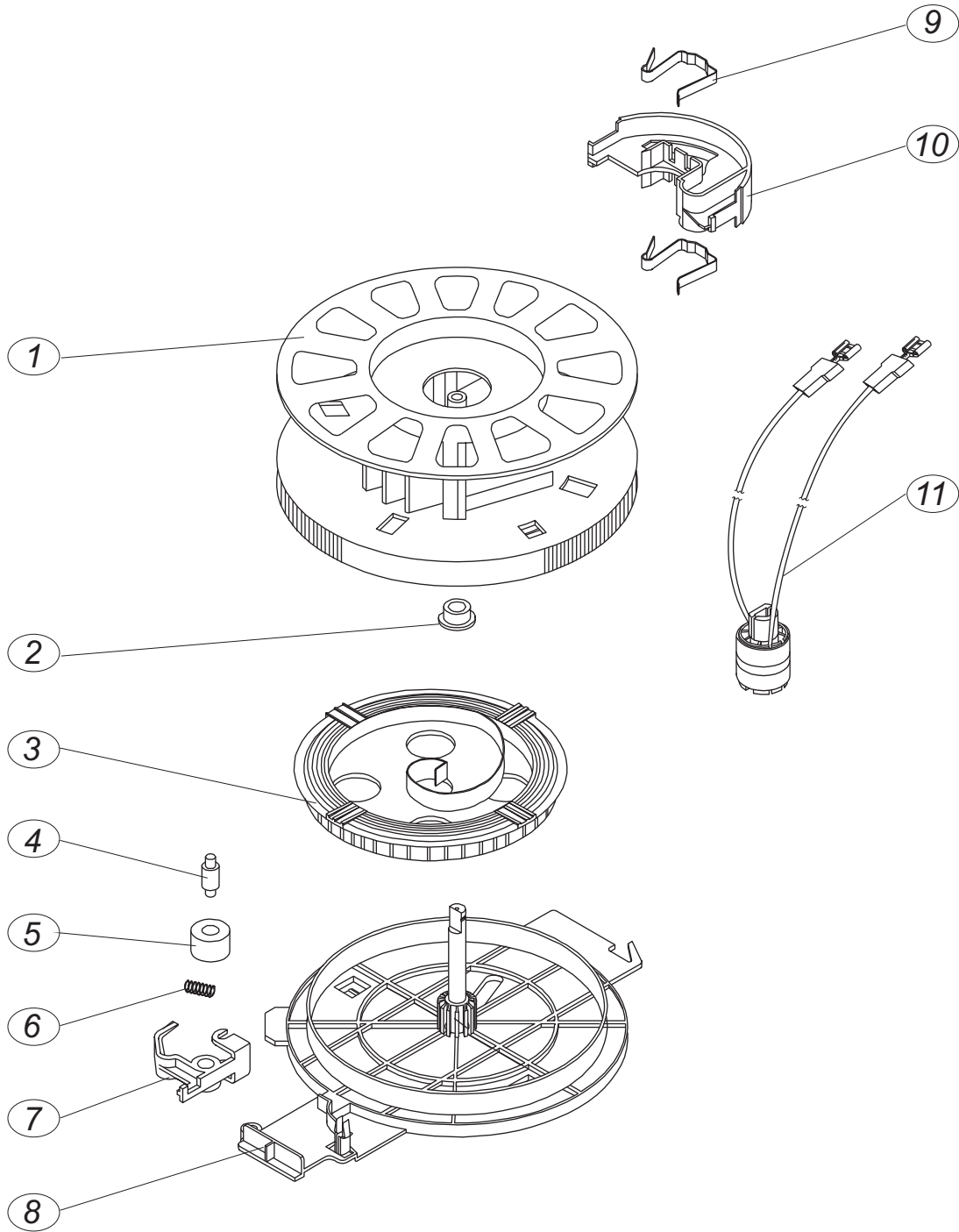
100% score for
Removal of Pet Hair
by choice.com.au
September 2012

	UBZ Upholstery Brush		CTZ Crevice Tool		DBZ Dusting Brush		V450-21 HEPA 11 Air Filter
	V450-27 Inlet Filter		V450-40 Complete Hose		AF4020 Synthetic Dust Bag <i>(plastic template)</i>		AF431S Synthetic Dust Bag <i>(cardboard template)</i>
	FTH-ZEL Hard Floor Brush		FTT-ZEL Air Driven Turbo Brush		FT-ZEL Combination Floor Tool		V450-42 Telescopic Rod
	M053 Motor		V450-4 Cover Latch		V450-5 Front Wheel Bracket		V450-10 Switch Button
	V450-11 Cord Rewind Button		V450-19 Rear Wheel		V450-22 Filter Cover		V450-25A Brush Unit
	V450-26 Shock Absorber		V450-34 PCB Circuit Board		V450-A Cord Rewinder		V819.5SK-50 Supply Cord
	VZEL-FRT WHEEL Front Wheel		VZEL-SAFVAL Safety Valve		VZEL-SWITCH Switch		V450-1 Front Cover

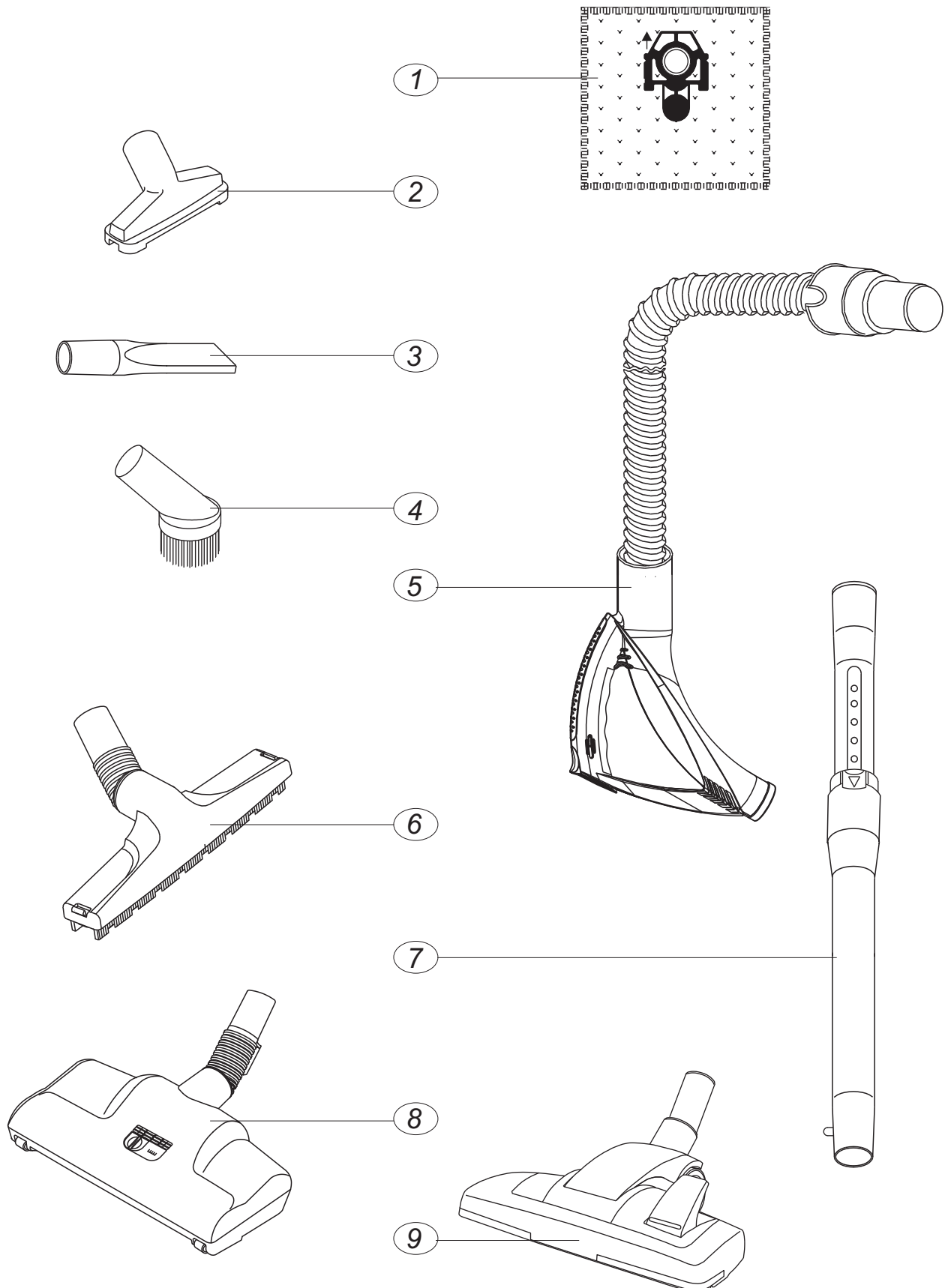
VACUUM CLEANER ZELMER TYPE 450.0 ST AUSTRALIA



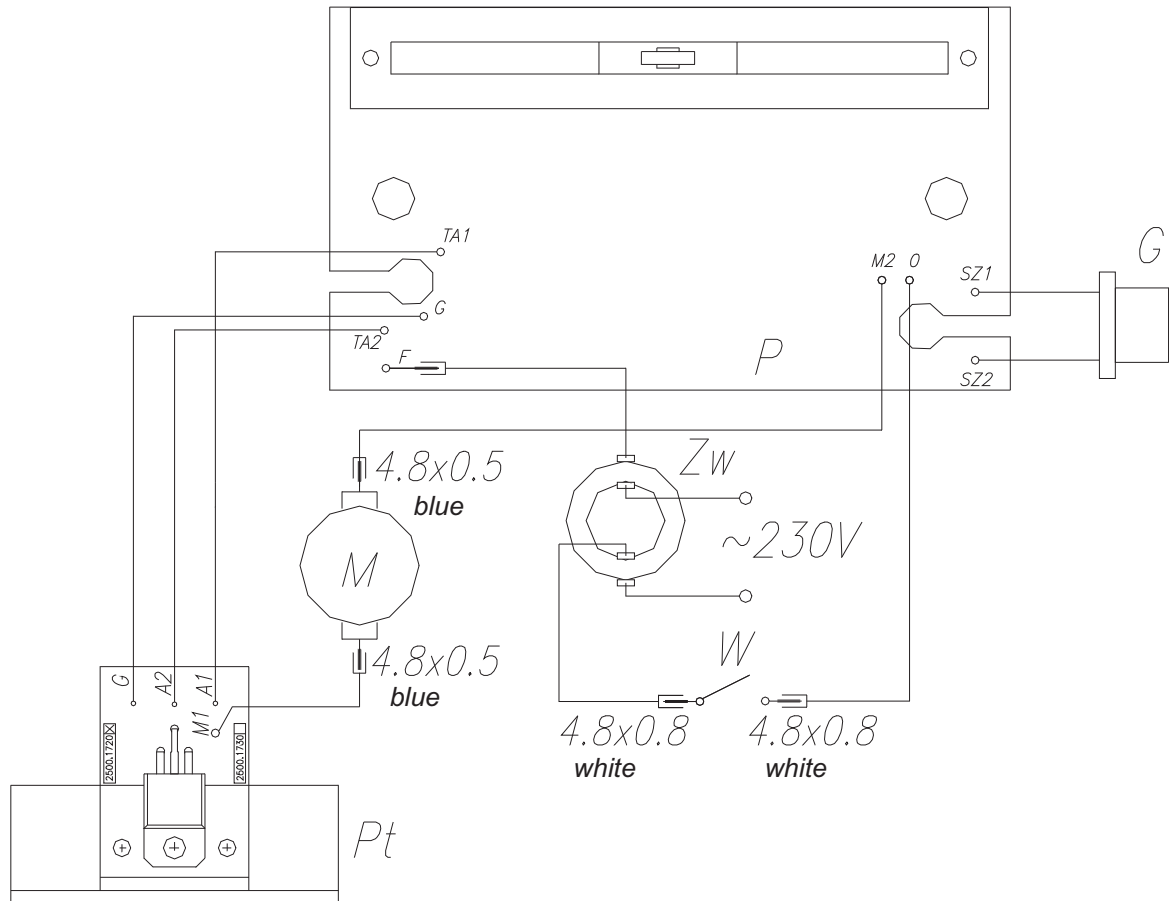
CORD WINDER 269.0450 AUSTRALIA



VACUUM CLEANER ACCESSORIES ZELMER TYP 450.0 ST AUSTRALIA



IV ELECTRICAL DIAGRAM OF THE VACUUM CLEANER ZELMER TYP 450.0 ST AUSTRALIA



- Zw - CORD WINDER
- M - MOTOR
- W - MAIN SWICH
- G - ELECTROBRUSH - SOCKET
- Pt - TRIAC BOARD
- P - PROCESSOR BOARD