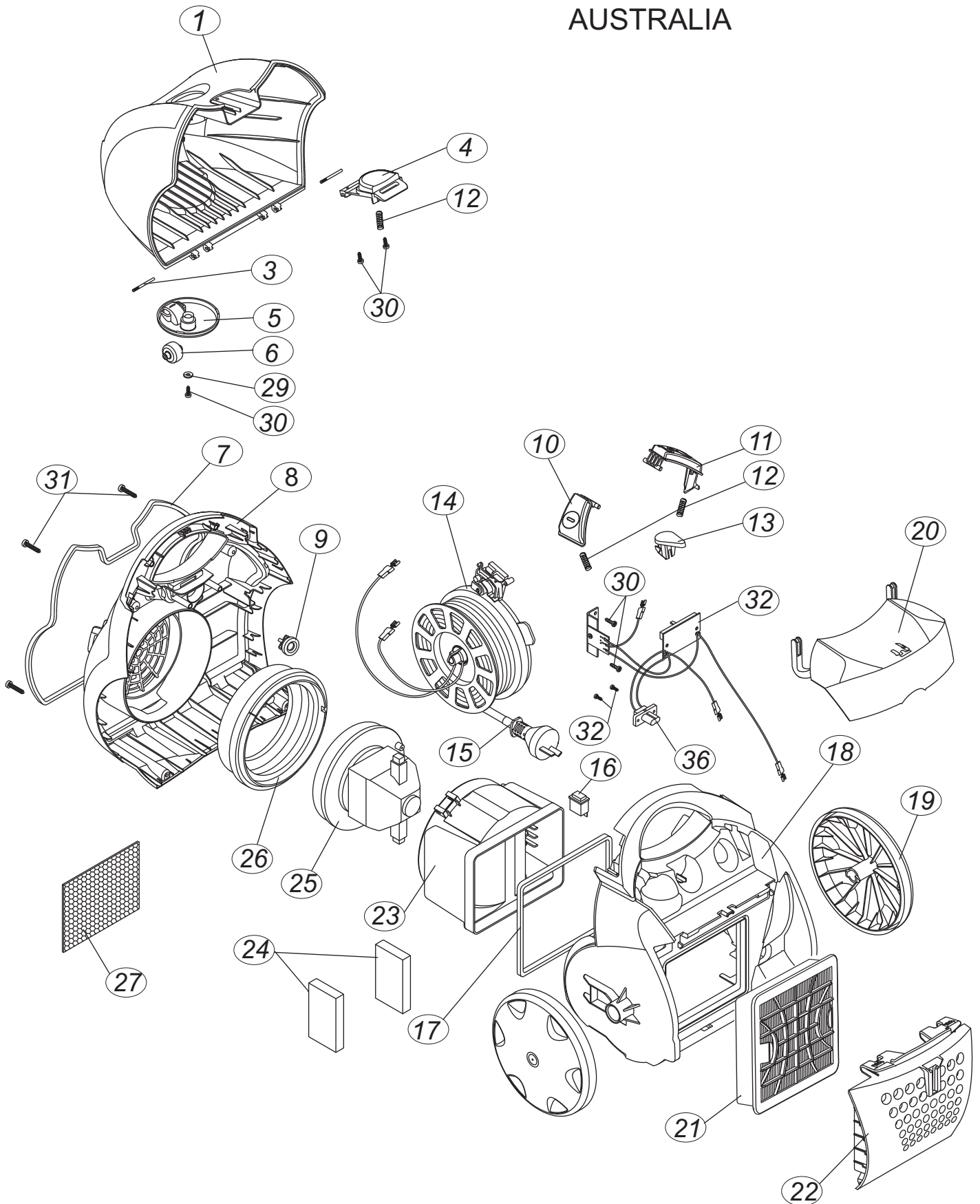
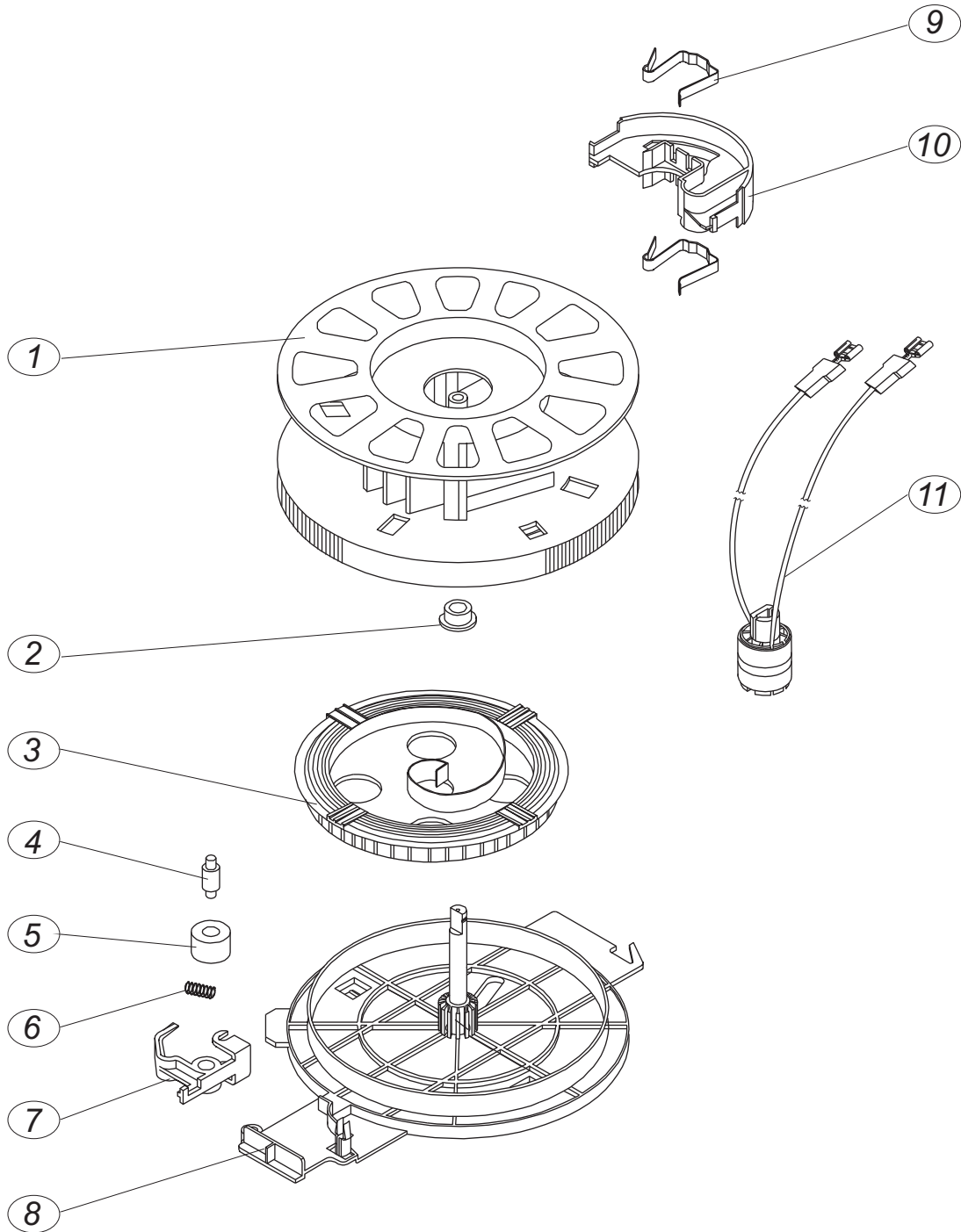


VACUUM CLEANER ZELMER TYPE 450.0 ST AUSTRALIA



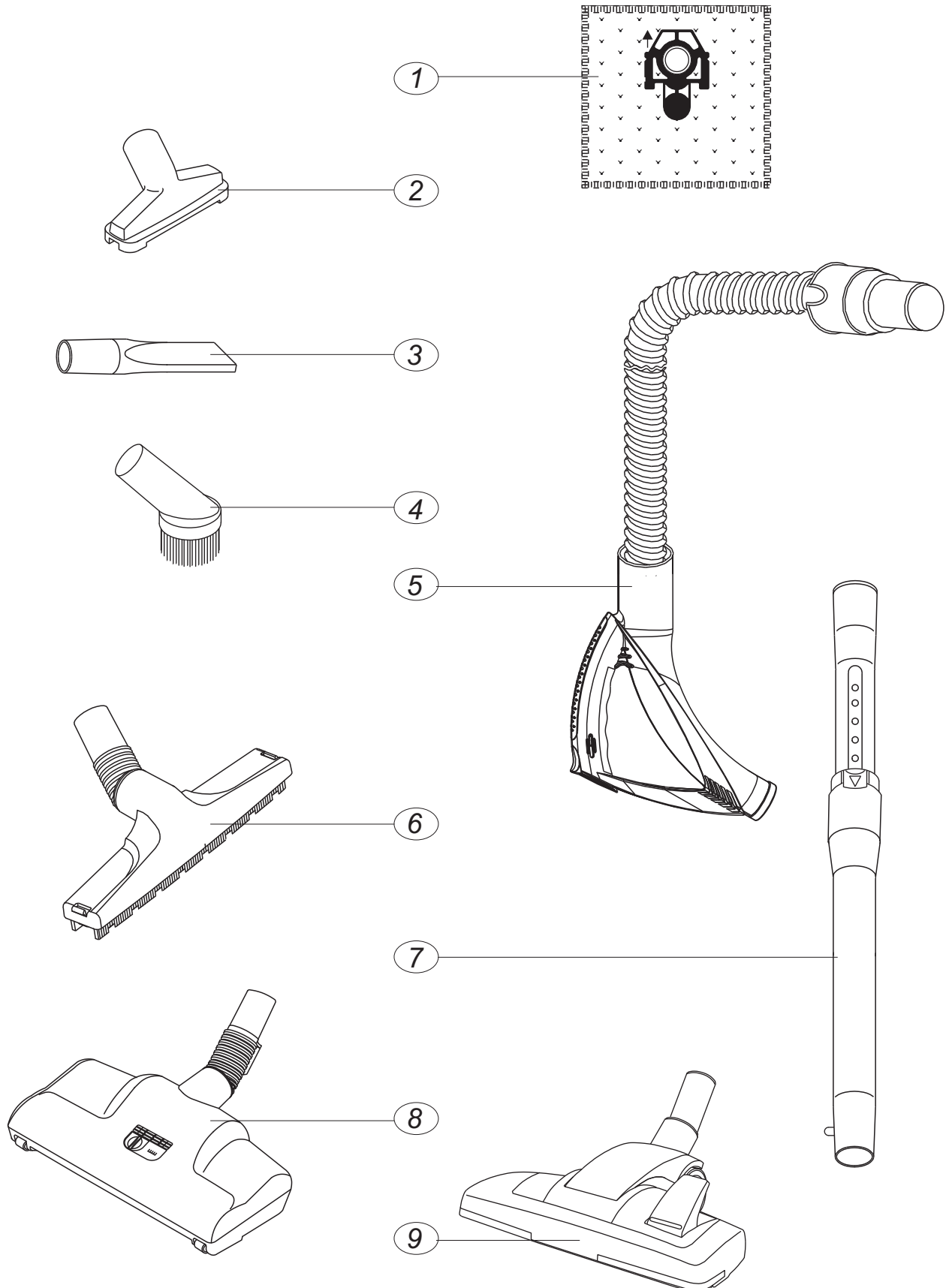
CORD WINDER 269.0450 AUSTRALIA



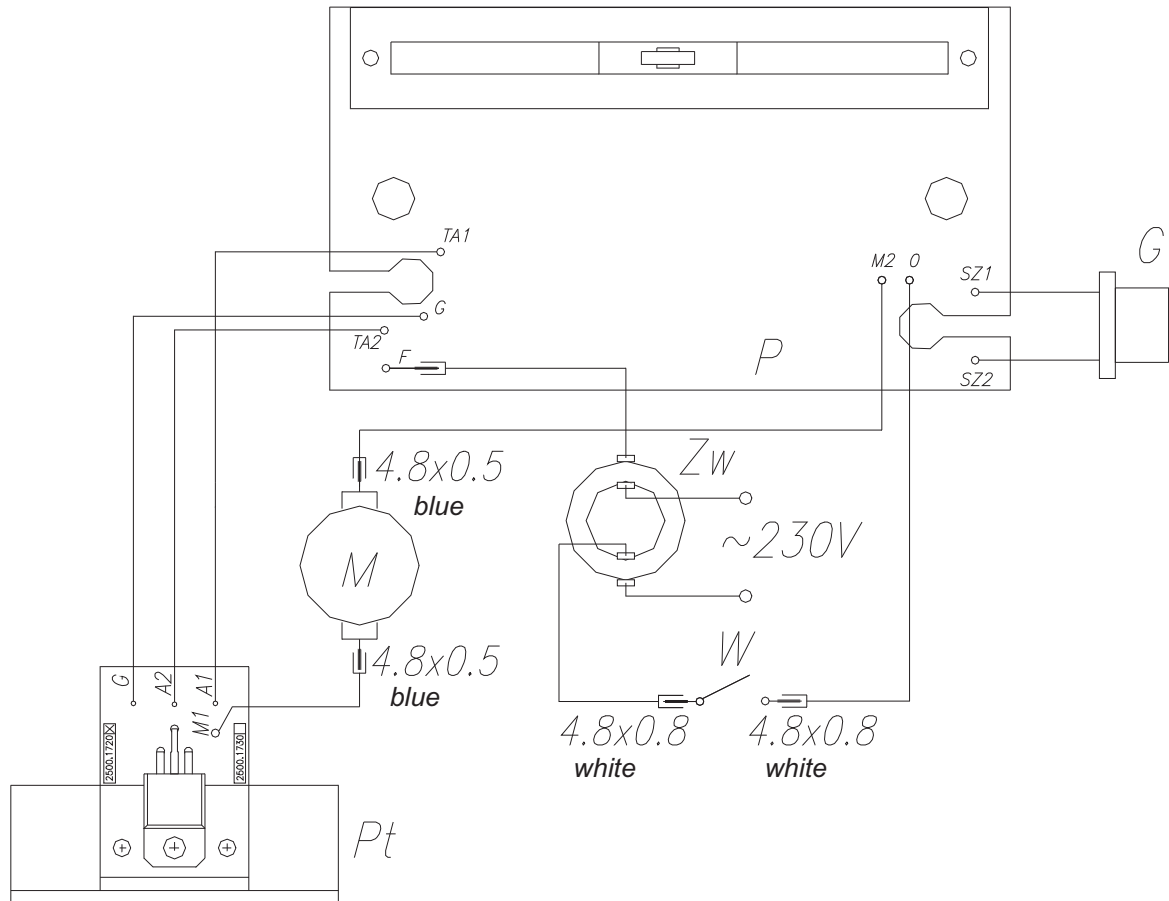
VACUUM CLEANER ACCESSORIES

ZELMER TYP 450.0 ST

AUSTRALIA



IV ELECTRICAL DIAGRAM OF THE VACUUM CLEANER ZELMER TYP 450.0 ST AUSTRALIA



- Zw - CORD WINDER
- M - MOTOR
- W - MAIN SWICH
- G - ELECTROBRUSH - SOCKET
- Pt - TRIAC BOARD
- P - PROCESSOR BOARD