

# VACUUM CLEANERS

## UPRIGHT VACS

### CLEANSTAR CORDLESS RECHARGABLE 2-IN-1 UPRIGHT VACUUM CLEANER - 12V

- CORDLESS
- BAGLESS CYCLONIC TECHNOLOGY
- POWER BRUSH
- MULTI-SWIVEL NECK (REACH UNDER VERY LOW OBJECTS)
- SMS FILTER
- FOLDING HANDLE
- DETACHABLE HANDHELD VACUUM CLEANER
- ON/OFF SWITCH ON HANDLE
- EASY TO USE AND ASSEMBLE
- Ni-MH BATTERY
- LIGHT WEIGHT
- UP TO 15 MINS. USEFUL RUN TIME
- CHARGER STAND (WALL MOUNTABLE)
- CHARGING INDICATOR

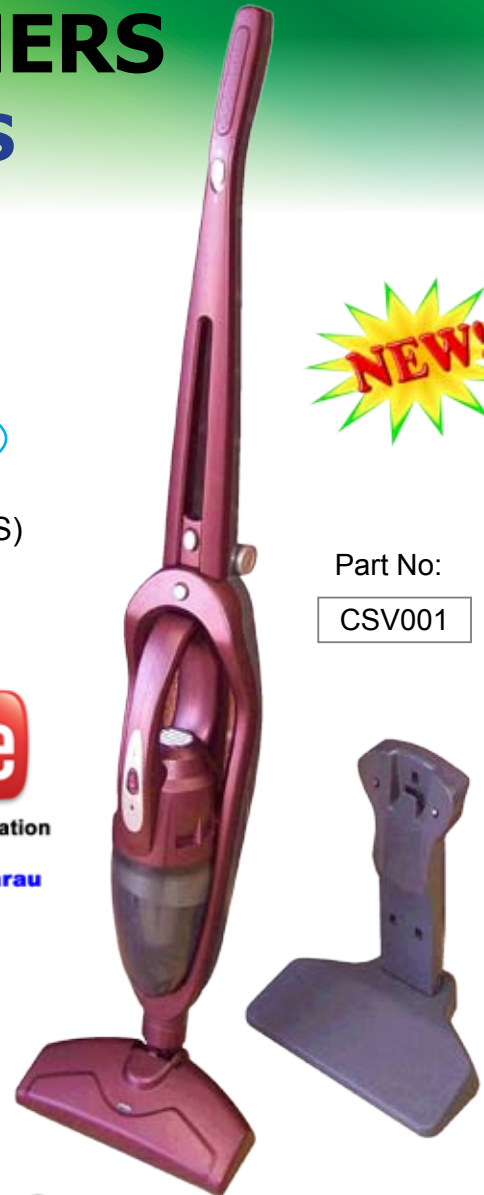


Part No:

CSV001



To view a video demonstration  
of this product visit:  
[youtube.com/cleanstarau](https://www.youtube.com/cleanstarau)



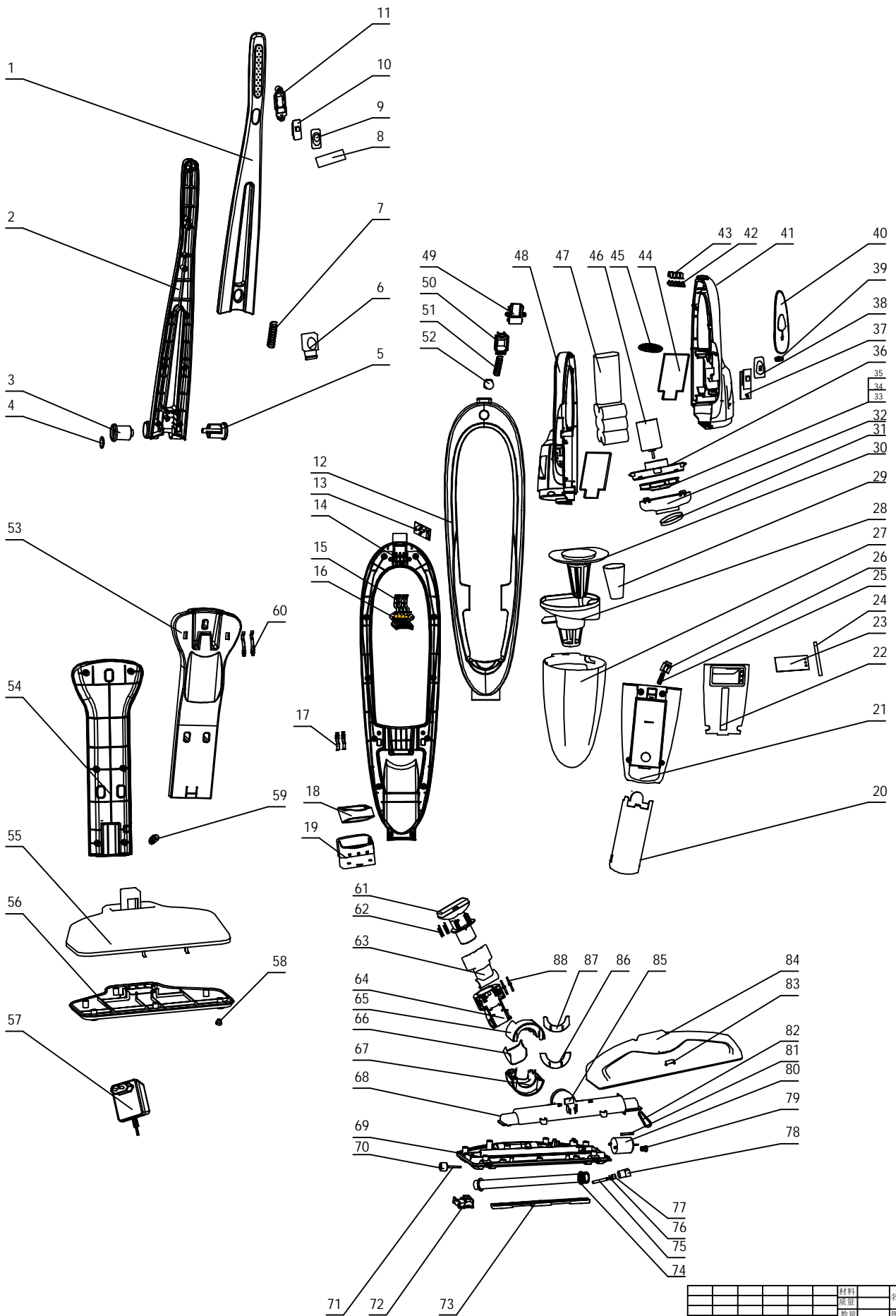
**DETACHABLE HAND-HELD VACUUM CLEANER**  
WITH RETRACTABLE CREVICE TOOL  
(UNCLIPS FROM THE MAIN MACHINE)



**FILTER SET  
FOR CSV001**

Part No:

CSV001-FILTSET



材料	名称	U009爆炸图
数量	图号	U009-000
比例	型号	U009
版次	物料名称	
设计		
审核		
标准		
批准		

第1页 共1页

苏州晋发电器有限公司  
Suzhou Jinfatong Electrical Co., Ltd.